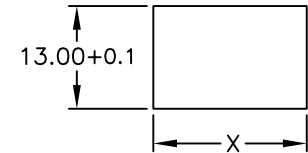
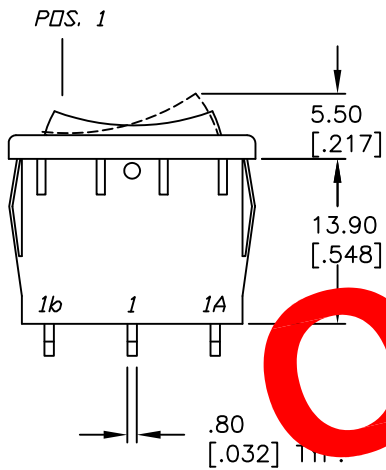


RECOMMENDED P.C.B. LAYOUT

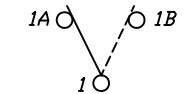
PANEL THICKNESS	X dimension
0.75-1.25 [.030-.049]	19.2-0.1 [.756]
1.25-2.0 [.049-.079]	19.4-0.1 [.764]
2.0-3.0 [.079-.118]	19.8-0.1 [.780]



PANEL CUTOUT NOT TO SCALE

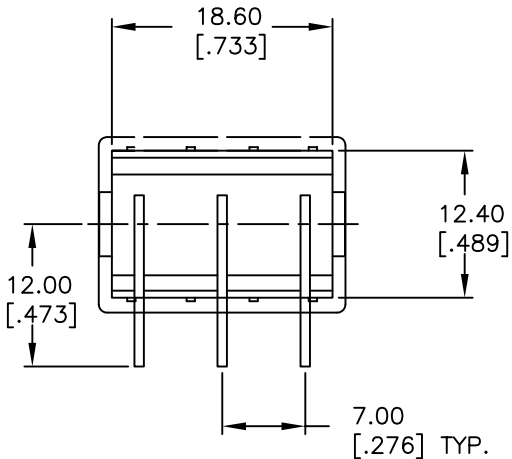


SWITCH FUNCTION		
POS. 1	POS. 2	POS. 3
ON	OFF	ON
1-1a	OPEN	1-1b



CIRCUIT: SPDT

OBSOLETE  
 November 2017  
 PCR 23112



NOTES:

- ALL DIMENSIONS IN MM [INCH]
- GENERAL TOLERANCE: X.X=±0.4  
X.XX=±0.25
- TERMINAL NOS. FOR REF ONLY.
- RATING: 15A @ 125VAC OR  
6A @ 250VAC
- MATERIALS: TERMINALS: Silver Plated Copper Alloy  
CONTACTS: Coin Silver, Silver Plated
- ELECTRIC LIFE: 10,000 cycles
- CONTACT RESISTANCE: 10 mILLI-OHMS max. Typical Initial @ 2-4VDC
- INSULATION RESISTANCE: >1000 Mega-OHMS
- DIELECTRIC STRENGTH: >1500 V 1 minute  
>3000 V between poles

**E-SWITCH®**

TITLE					R1966D BLK RED ER				
SCALE	DATE	DR	DWG	REV					
1.5:1	5/29/02	CB	M309309	A					

A	12192	RELEASED FOR PRODUCTION	5/29/02	CB
REV.	ECN No.	DESCRIPTION	DATE	CHKD
THE INFORMATION CONTAINED IN THIS DOCUMENT IS PROPRIETARY TO E-SWITCH AND IS NOT TO BE COPIED OR TRANSFERRED				